



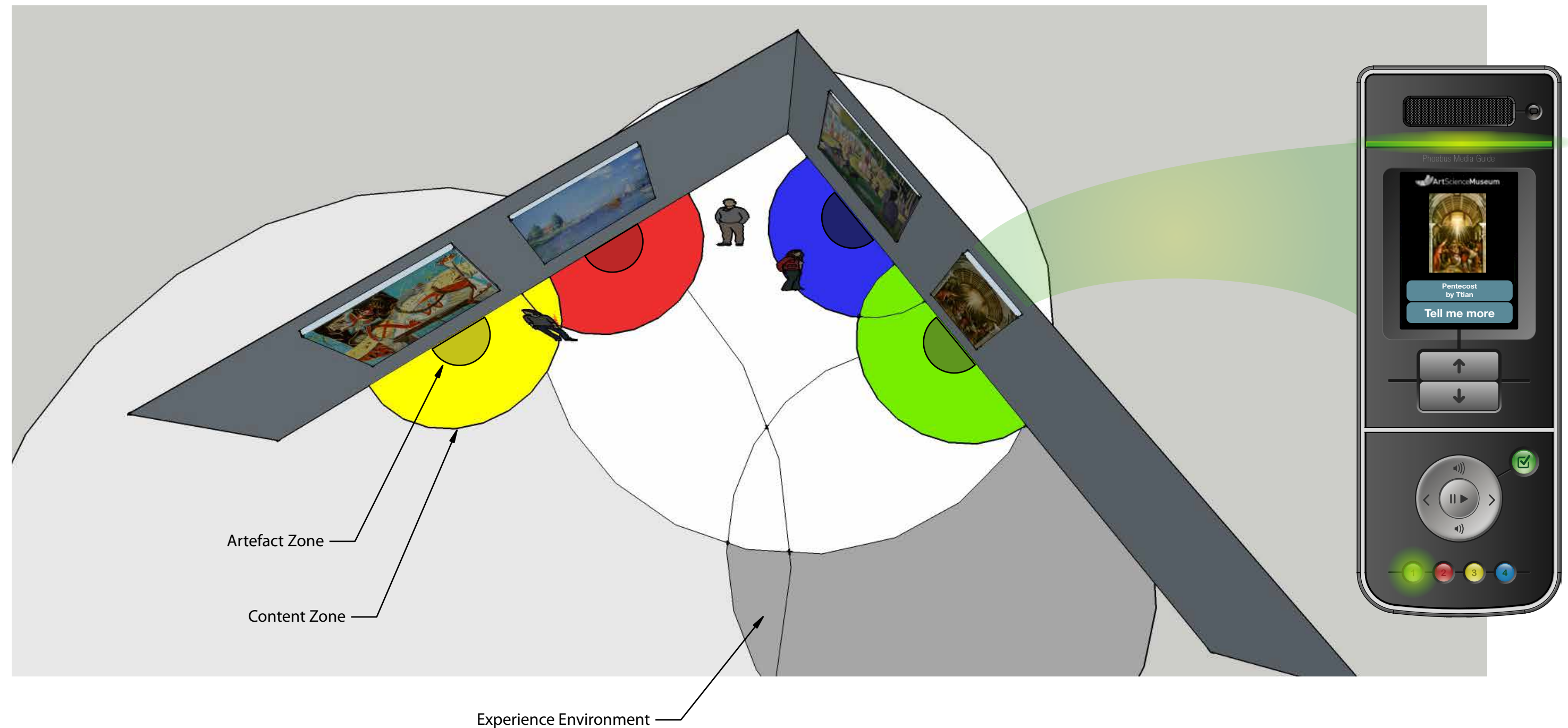
The AudioConexus system is comprised of three hardware components, the modular audio guide, a GPS headend, and one or more Bluetooth Low Energy beacons.

The tour experience can be greatly improved through application of these technologies. As an example, consider a group of paintings in a museum. With conventional audio guide installations the guest is typically required to read item numbers adjacent to each painting and input the number into the device keypad in order to playback content for an object. Moving through the gallery, the guest repeats this for new items. Considerable time is spent working the device instead of looking at the art.

In the new AudioConexus system, the location aware components handle the delivery of content by GPS location awareness, indoor location triangulation, and device proximity to low-energy Bluetooth beacons. Content for specific attractions, buildings, rooms, paintings and individual exhibit artefacts is triggered dynamically as the guest moves through space and progressively closer to specific areas and items. GPS and location signals represented by the gray circles triangulate the location of each device within the **Experience Environment** and deliver contextual content based on the position of the guest. Area specific beacons broadcast up to 40' and define distance specific **Content Zones**, illustrated here by the colored circles. Dedicated beacons applied directly to specific items define close-range **Artefact Zones**, illustrated by the smaller internal colored circles. As a guest progressively enters these zones, additional media becomes available and is pushed to the device. The media guide announces the availability of the pushed content via the light bar, LCD screen, and the gamification buttons along the bottom of the device.

Content can be simplified or deepened based on how quickly a guest moves through the Experience Environment, how long they linger in specific Content Zones, or how closely they stand to each Artefact. Multiple and simultaneous content options are presented on-screen and allow for quick and simple selection. The device virtually disappears permitting the guest to remain immersed in the attraction.

Expertise with high-quality, multi-language, location-triggered content means AudioConexus can take maximum advantage of these innovations in order to develop serendipitous, ultra-high immersive experiences to a broad range of entertainment customers.





Φοίβη (**Phoibē**) - **Phoebe** - Titan of the bright intellect and prophecy

Audio Module

Language Key
Speaker
Headphone Jack

Content Module

Display Screen
Keypad
Selection Keys
Touchscreen

Control Module

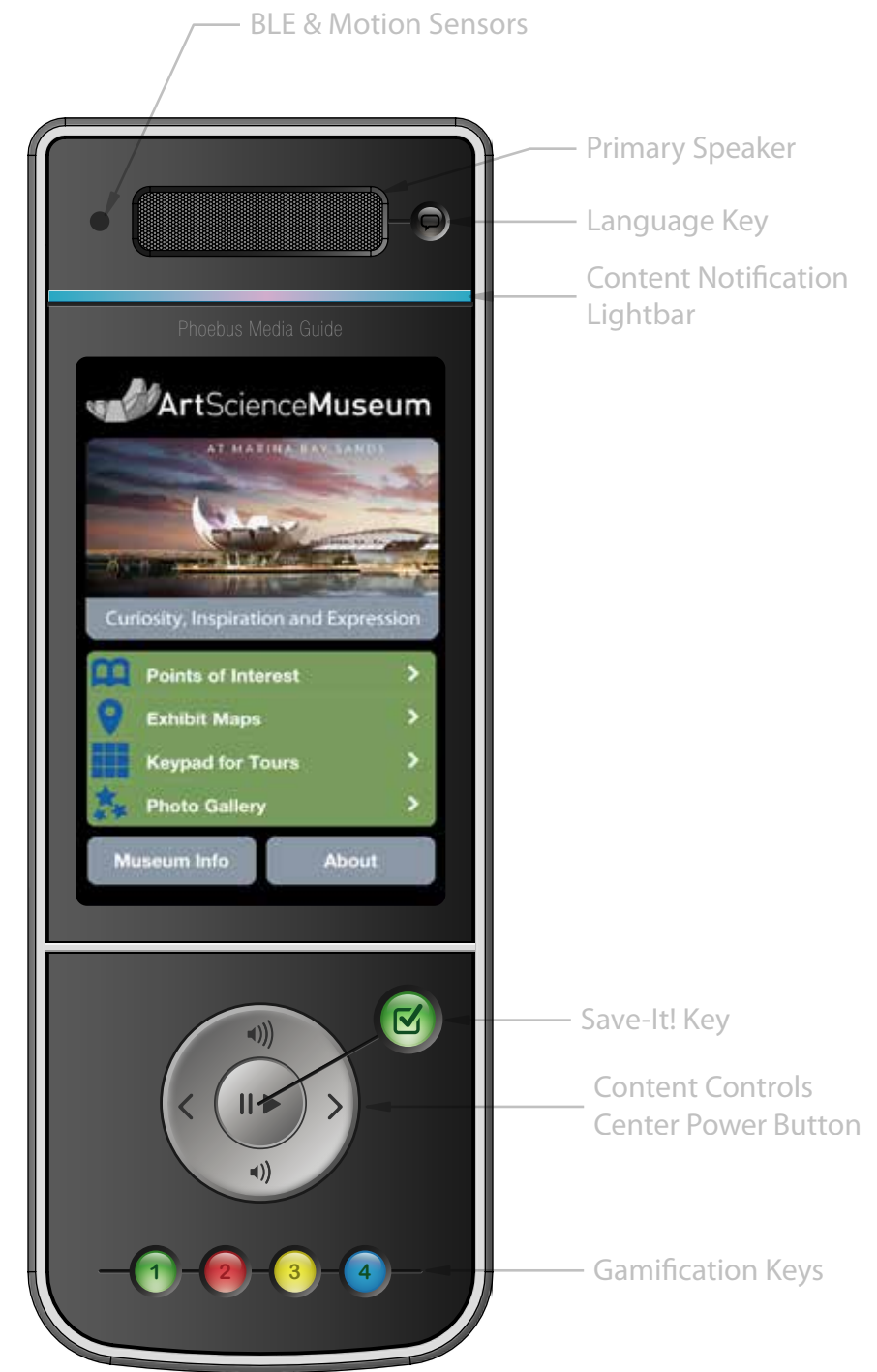
Playback Controls
Volume Controls
Gamification Keys
Save for Later Key



Phoebus Audi
Location Triggered
Audio Guide
with Keypad



Phoebus Vide
2.4" 240x320 RGB
Transmissive TFT LCD



Phoebus Tigri
3.5" 320 x 480 RGB
Sunlight readable LCD
with Touchscreen

BLE & Motion Sensors

Primary Speaker

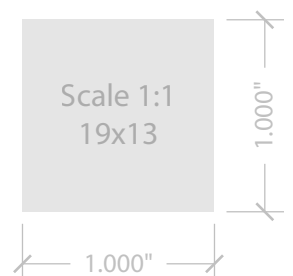
Language Key

Content Notification
Lightbar

Save-It! Key

Content Controls
Center Power Button

Gamification Keys







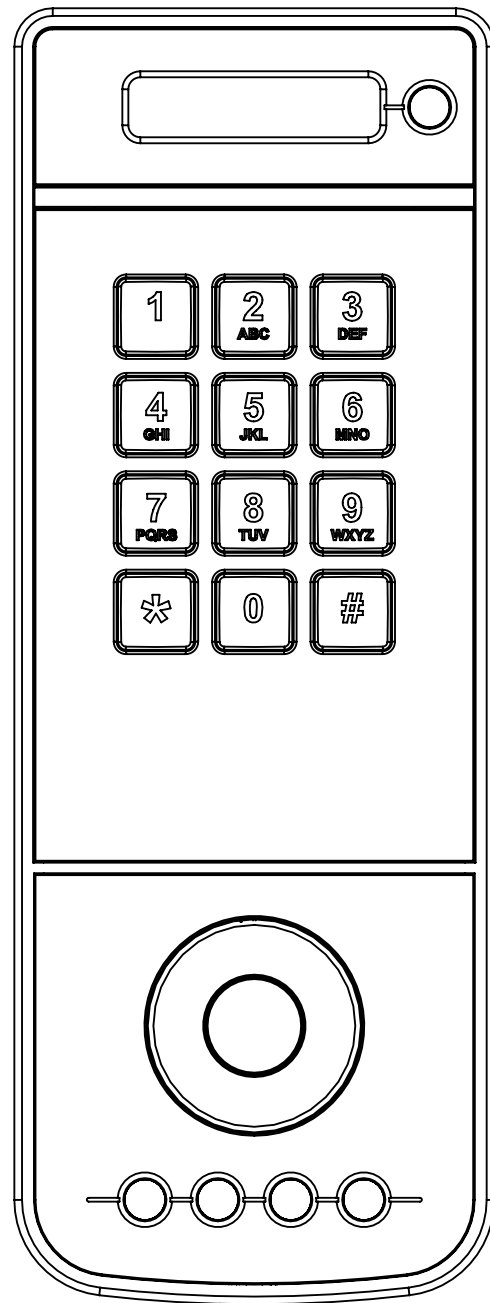




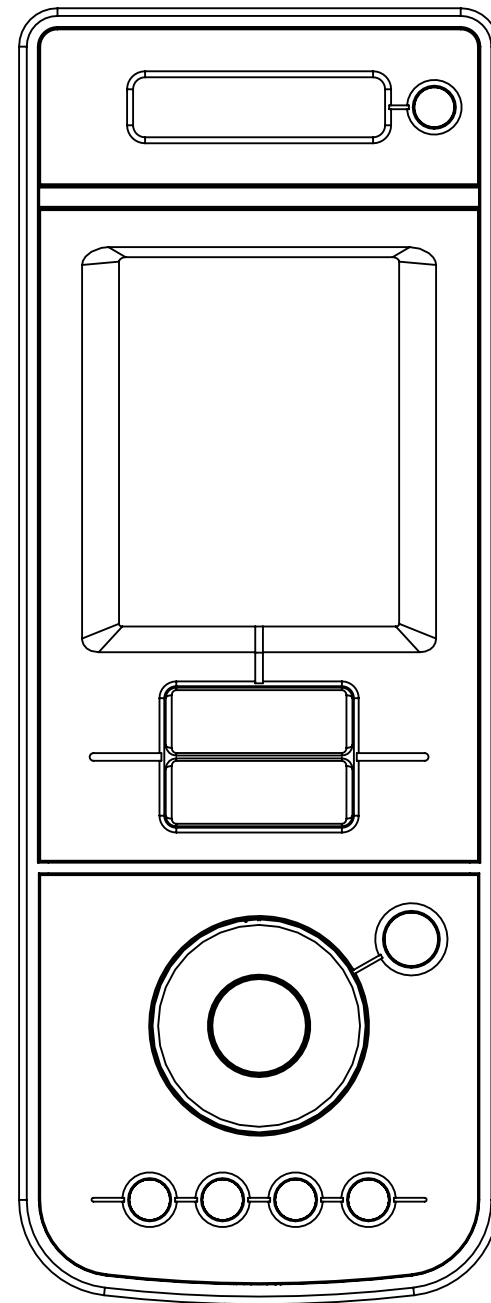




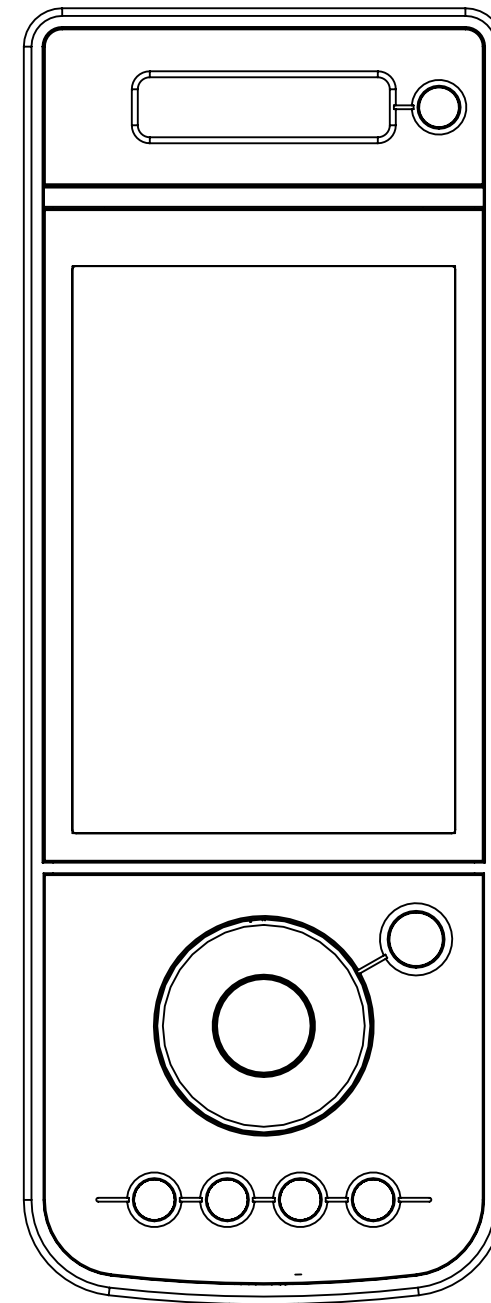
AudioConexus Modular Audio Guide Concept
Modular Product Line



Phoebus Audi
(Keypad with Audio)



Phoebus Vide
(Color Screen Multimedia)

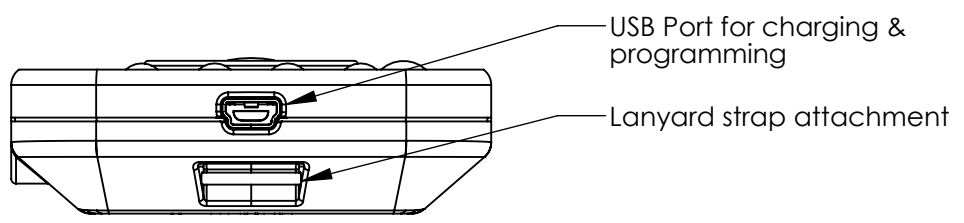
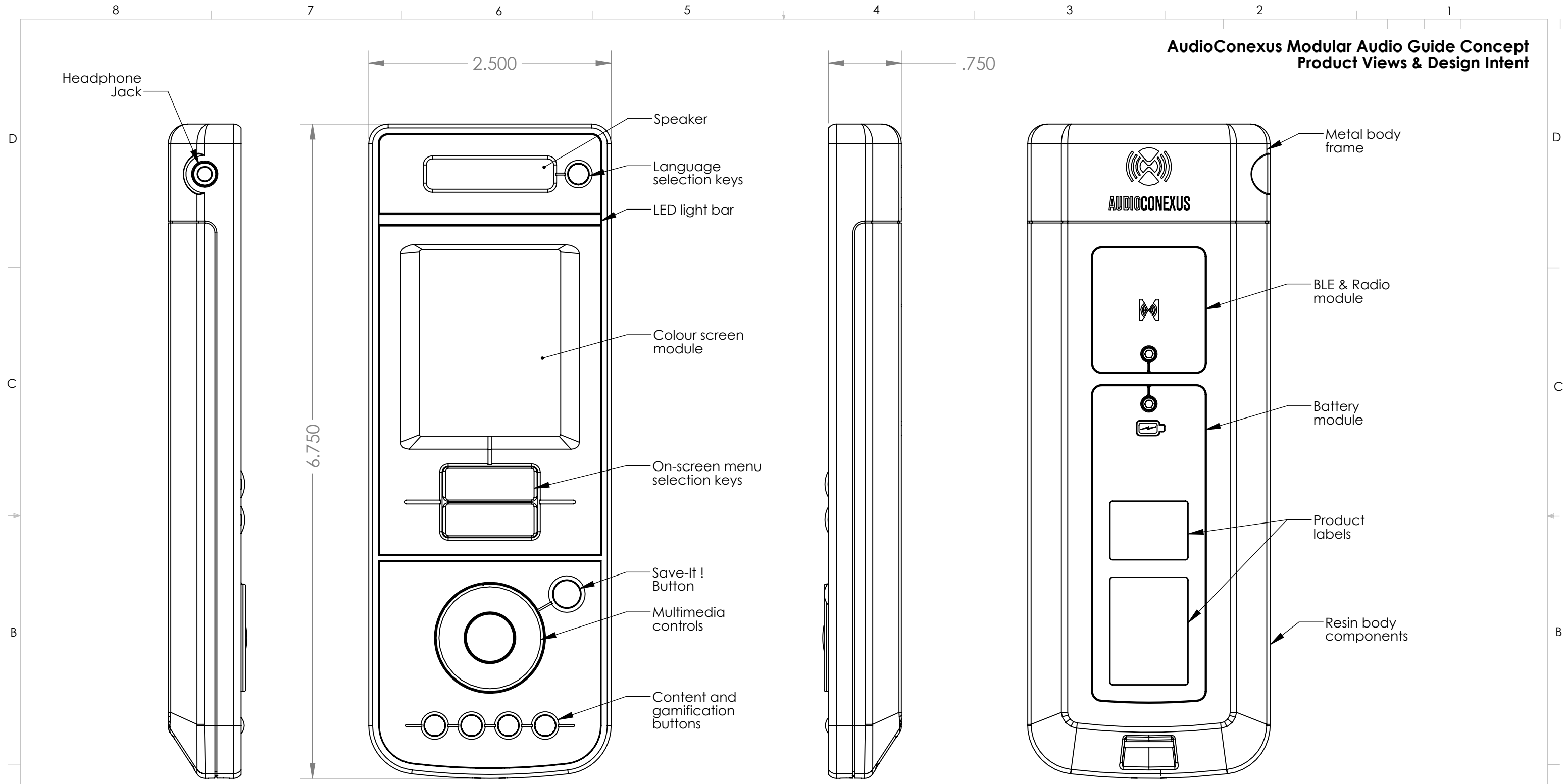


Phoebus Tigri
(Touchscreen Multimedia)

The information contained in this drawing is the sole property of AudioConexus Inc. It is to be used by others for the sole purpose it has been provided. This drawing may not be copied or reproduced, nor may its contents be disclosed to others, without the express written consent of AudioConexus Inc.

	PROJECT CODE :	X100	 AUDIOCONEXUS
	TOLERANCES:		
	DRAWING NUMBER:	DAA100	
FRACTIONS ±1/64	DECIMALS 0.X ± 0.1 0.XX ± 0.02 0.XXX ± 0.010	ANGLES ± 0.5°	DATE :
	ORIGINATED:	03-Mar-14	04-Mar-14
MATERIAL:	Various	PART BY:	Mike McGuire
FINISH:	Various	DRAWN BY:	Mike McGuire
DO NOT SCALE DRAWING	CAD GENERATED DRAWING, DO NOT MANUALLY UPDATE	UNLESS OTHERWISE SPECIFIED DIMENSIONS ARE IN inches	DESCRIPTION:
			DRAWING NAME: DAA100-AC-Modular-Guide-Concept
			REFERENCE MODEL: AA100-AC-Modular-Guide-Concept-1
			SCALE: 1:1
			SIZE: B
			SHEET 1 OF 5

**AudioConexus Modular Audio Guide Concept
Product Views & Design Intent**

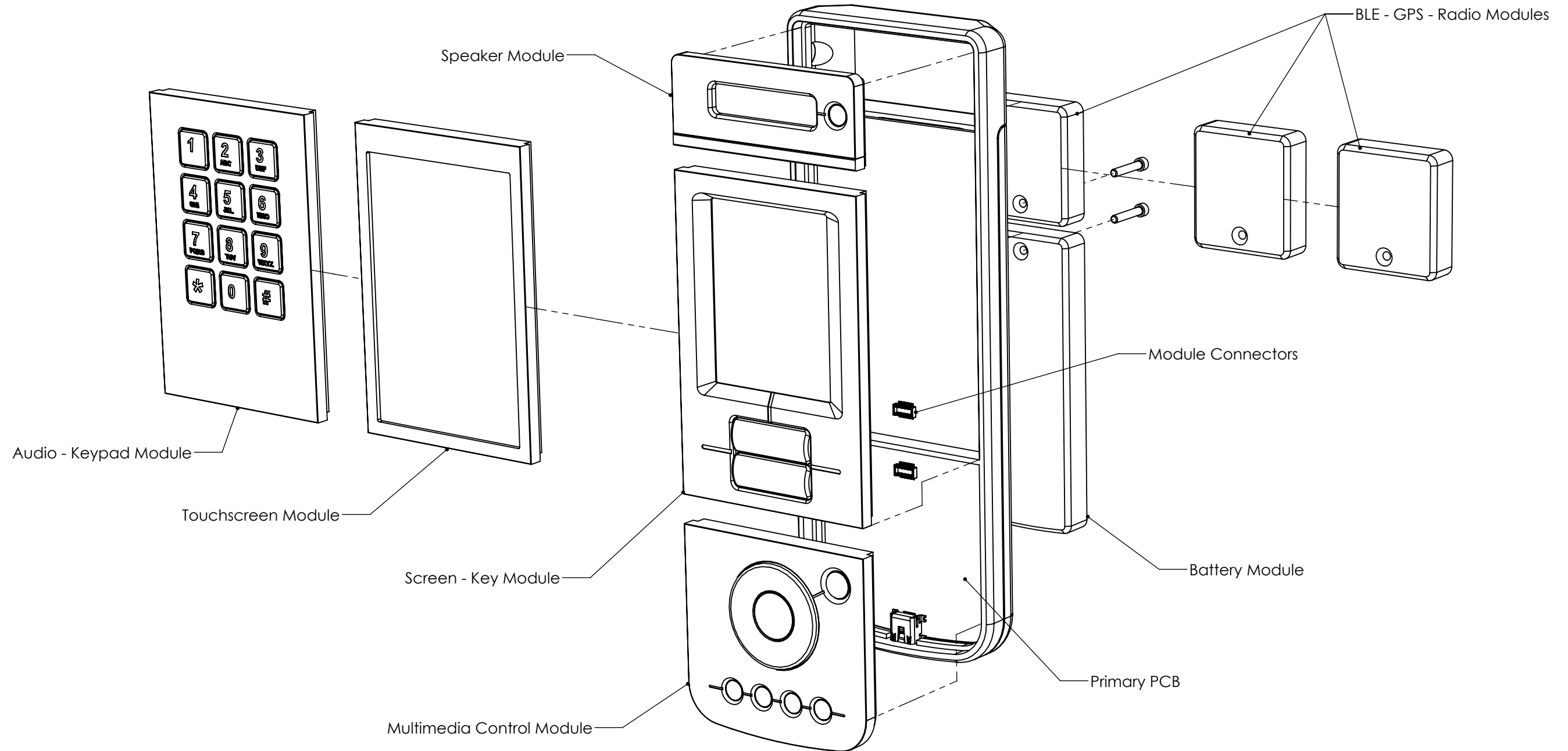


	PROJECT CODE :	X100	
	DRAWING NUMBER:	DAA100	
TOLERANCES: FRACTIONS ±1/64 DECIMALS 0.X ± 0.1 0.XX ± 0.02 0.XXX ± 0.010	DATE :	04-Mar-14	DESCRIPTION:
ANGLES ± 0.5° 0.XX ± 0.02 0.XXX ± 0.010	ORIGINATED:	03-Mar-14	
MATERIAL:	Various	PART BY:	DRAWING NAME: DAA100-AC-Modular-Guide-Concept
FINISH:	Various	Mike McGuire	
DO NOT SCALE DRAWING	DRAWN BY:	Mike McGuire	REFERENCE MODEL: AA100-AC-Modular-Guide-Concept-1
CAD GENERATED DRAWING, DO NOT MANUALLY UPDATE	UNLESS OTHERWISE SPECIFIED DIMENSIONS ARE IN inches		SCALE: 1:1
			SIZE: B
			SHEET 2 OF 5

The information contained in this drawing is the sole property of AudioConexus Inc. It is to be used by others for the sole purpose it has been provided. This drawing may not be copied or reproduced, nor may its contents be disclosed to others, without the express written consent of AudioConexus Inc.

**AudioConexus Modular Audio Guide Concept
Component Modularity - Front View**

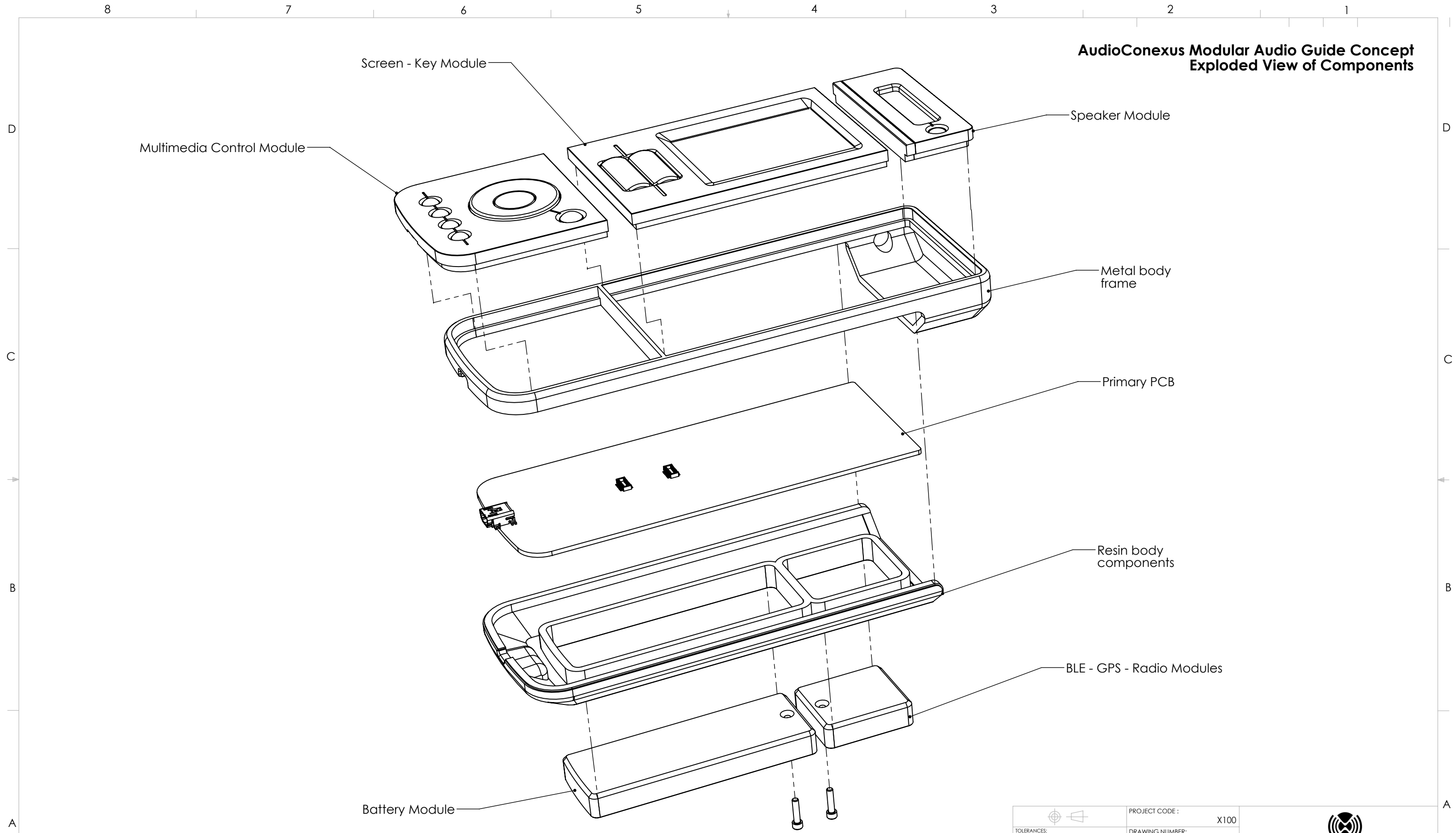
The AudioConexus modular media guide is a system of electronic components designed to combine into a range of devices with customer specific functionality. The base unit provides standard multimedia controls combined with proximity and GPS content triggering to deliver location specific, media-rich information for site specific and roaming experience tours. 3 different content modules provide different media richness and user interaction. Swappable radio and memory options enable different customer location technologies and media programming. Replaceable batteries provide maximum uptime.





The information contained in this drawing is the sole property of AudioConexus Inc. It is to be used by others for the sole purpose it has been provided. This drawing may not be copied or reproduced, nor may its contents be disclosed to others, without the express written consent of AudioConexus Inc.

	PROJECT CODE:	X100	
	TOLERANCES:		
FRACTIONS	DECIMALS	ANGLES	
±1/64	0.X ± 0.1	± 0.5°	
	0.XX ± 0.02		
	0.XXX ± 0.010		
MATERIAL:	Various	ORIGINATED:	03-Mar-14
FINISH:	Various	PART BY:	Mike McGuire
DO NOT SCALE DRAWING		DRAWN BY:	Mike McGuire
CAD GENERATED DRAWING, DO NOT MANUALLY UPDATE		UNLESS OTHERWISE SPECIFIED DIMENSIONS ARE IN inches	
		DESCRIPTION:	
		DRAWING NAME:	DAA100-AC-Modular-Guide-Concept
		REFERENCE MODEL:	AA100-AC-Modular-Guide-Concept-1
		SCALE: 1:1	SIZE: B
			SHEET 3 OF 5

**AudioConexus Modular Audio Guide Concept
Exploded View of Components**



The information contained in this drawing is the sole property of AudioConexus Inc. It is to be used by others for the sole purpose it has been provided. This drawing may not be copied or reproduced, nor may its contents be disclosed to others, without the express written consent of AudioConexus Inc.

 TOLERANCES: FRACTIONS DECIMALS ANGLES $\pm 1/64$ 0.X ± 0.1 $\pm 0.5^\circ$ 0.XX ± 0.02 0.XXX ± 0.010	PROJECT CODE:	X100	 AUDIOCONEXUS
	DRAWING NUMBER:	DAA100	
	DATE:	04-Mar-14	
MATERIAL:	ORIGINATED:	03-Mar-14	
FINISH:	PART BY:	Mike McGuire	DRAWING NAME:
DO NOT SCALE DRAWING	DRAWN BY:	Mike McGuire	DAA100-AC-Modular-Guide-Concept
CAD GENERATED DRAWING, DO NOT MANUALLY UPDATE	UNLESS OTHERWISE SPECIFIED DIMENSIONS ARE IN inches		REFERENCE MODEL: AA100-AC-Modular-Guide-Concept-1
	SCALE:	1:1	SIZE: B
			SHEET 5 OF 5